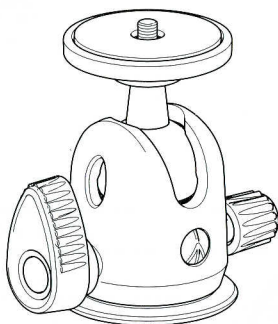
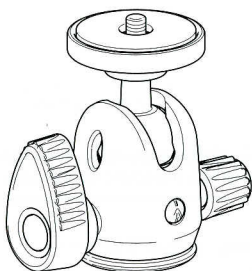




# Manfrotto



## INSTRUCTIONS

494



7.5 cm  
2.95"



0.22 kg  
0.48 lbs



4 kg  
8.8 lbs

496



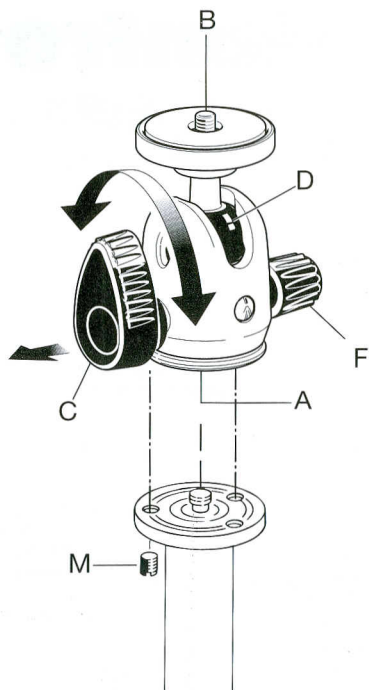
9 cm  
3.54"



0.34 kg  
0.74 lbs



6 kg  
13.2 lbs



## INTRODUCTION

Ball head designed for use with compact, 35mm and small digital camera.

## SET UP

### ASSEMBLING HEAD ON TRIPOD 1 & 2

Assemble the head on the tripod using 3/8" female thread "A".

⚠ The top plate on Manfrotto tripods are equipped with three set screws "M" which clamp against the base of the head to ensure effective and secure locking.

### MOUNTING THE CAMERA ON HEAD

Mount the camera on the head using 1/4" male thread "B".

⚠ Please ensure you have securely locked the camera on to the plate before use (fig. 2).

### USE 1

The lever "C" locks the movement of the head.

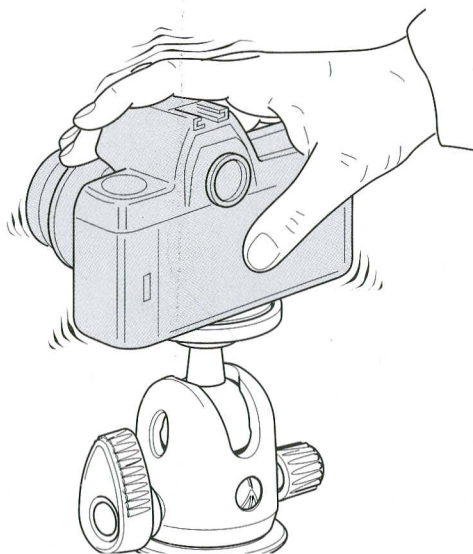
To release the ball "D" for positioning the camera, unlock lever "C" by rotating until free position.

Once the desired position is achieved, lock the ball "D" by turning lever "C" fully in a clockwise direction.

The head incorporates a separate friction adjustment for the ball movement, which makes it easier to control the positioning of the head before locking it off. To adjust the friction ensures the ball "D" is not locked (rotating the locking lever "C" anticlockwise). Then hold the camera in one hand and rotate with the other the knob "F" clockwise to tighten the friction, anticlockwise to reduce the friction.

⚠ The friction does not allow the locking of the camera: we recommend to lock the ball "D" by fully turning the lever "C".

Note: The angle of the lever "C" can be repositioned as required without effecting the lock itself. Pull the lever outwards, rotate as required and release and it will locate in the new position.





**Manfrotto**